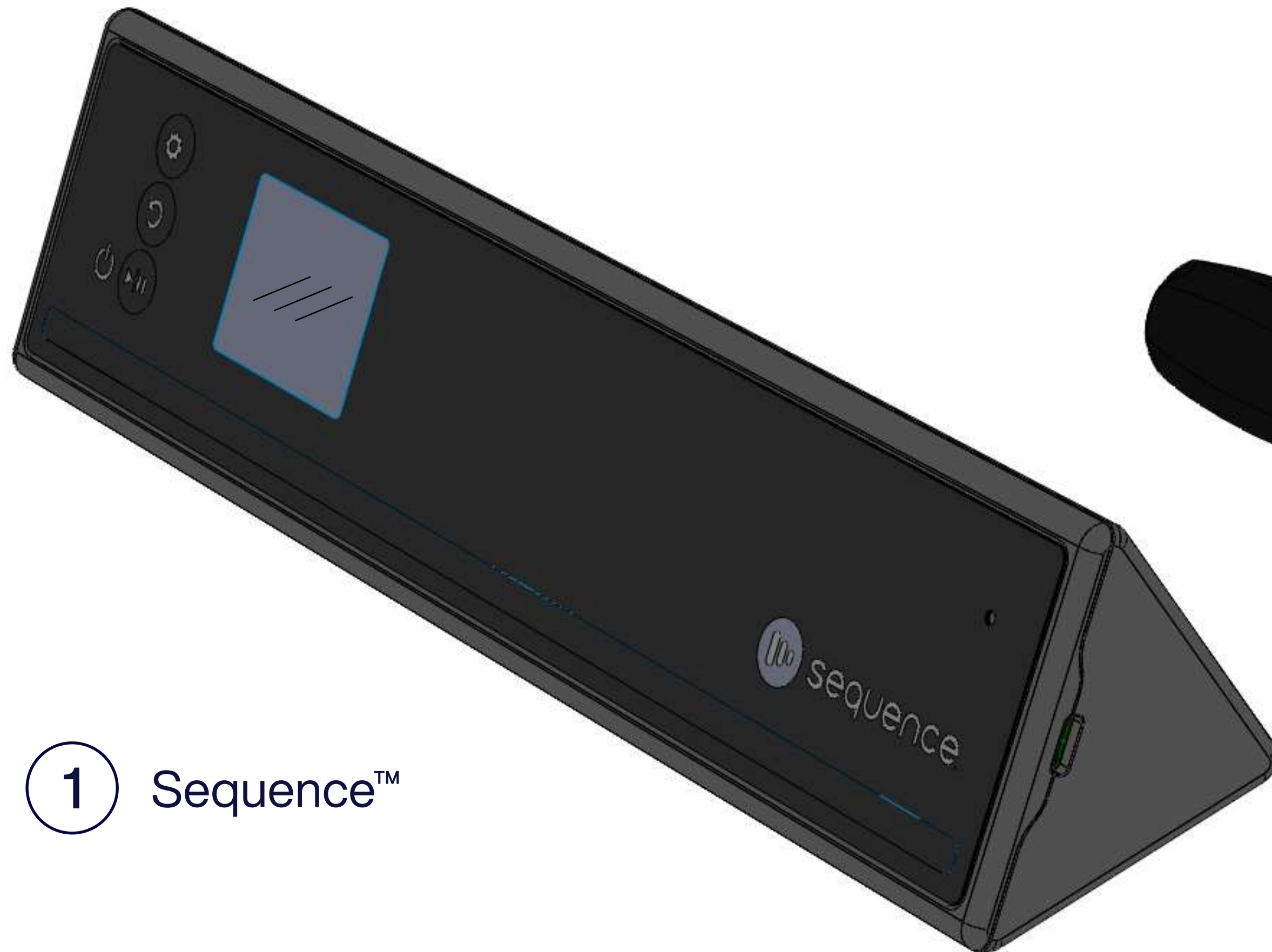


# Guide to disassembly

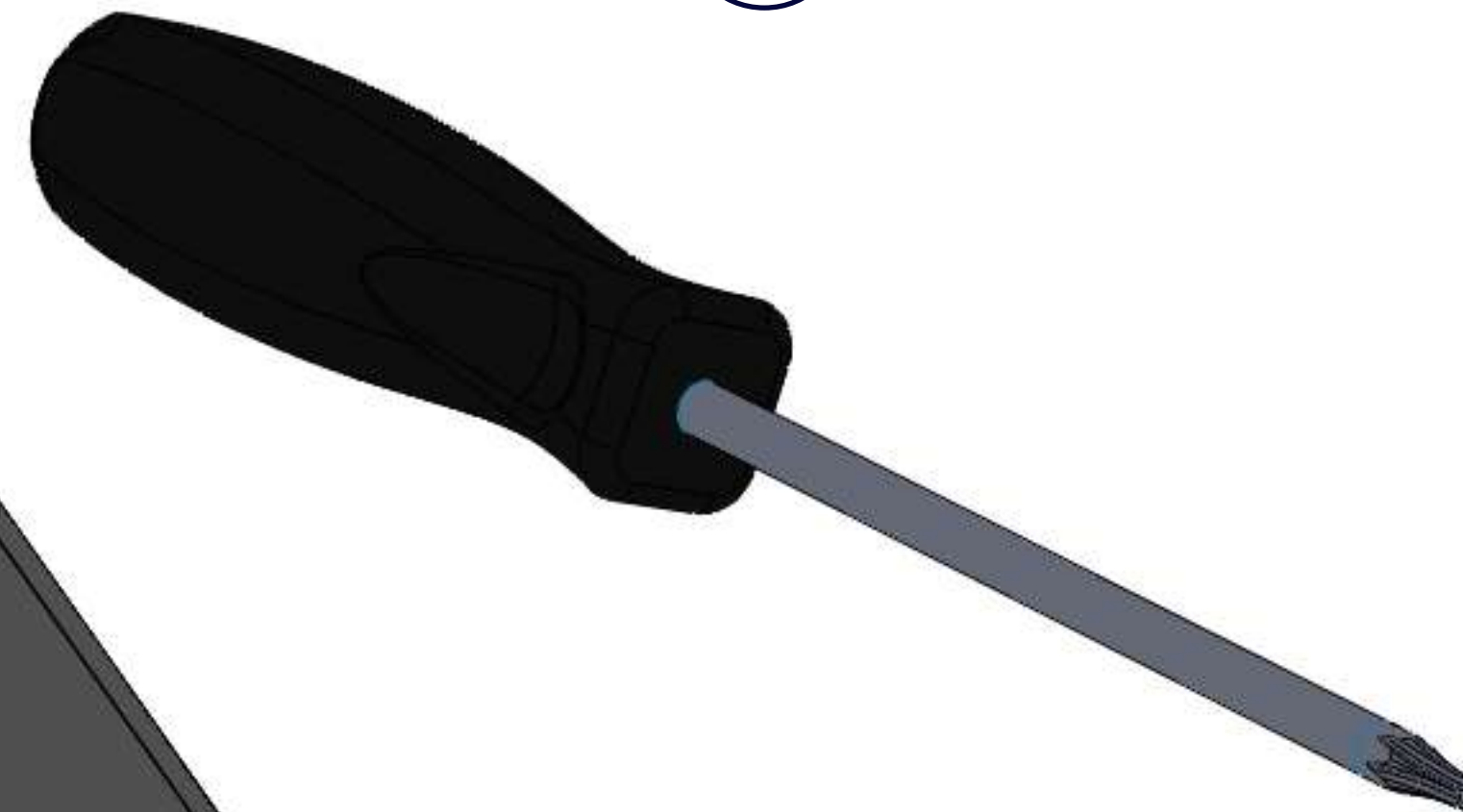


## Step 1

# Gather the necessary tools



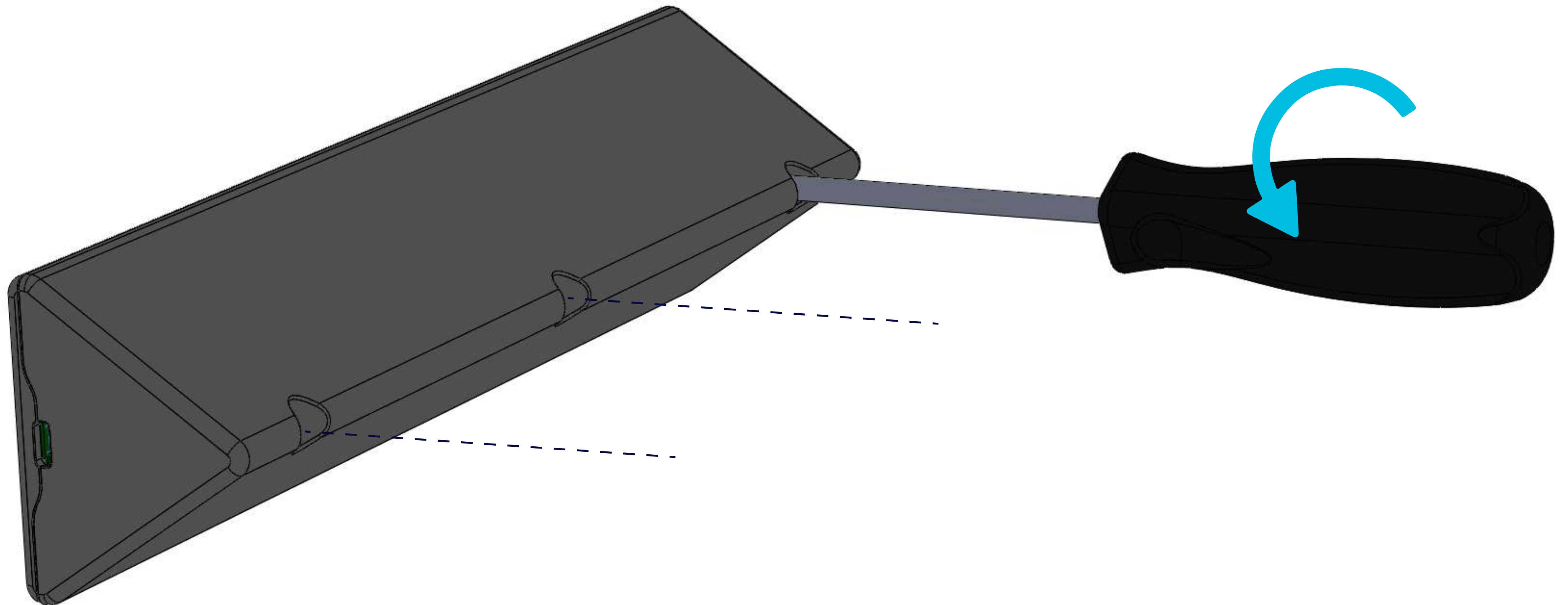
① Sequence™



② Torx screwdriver T10

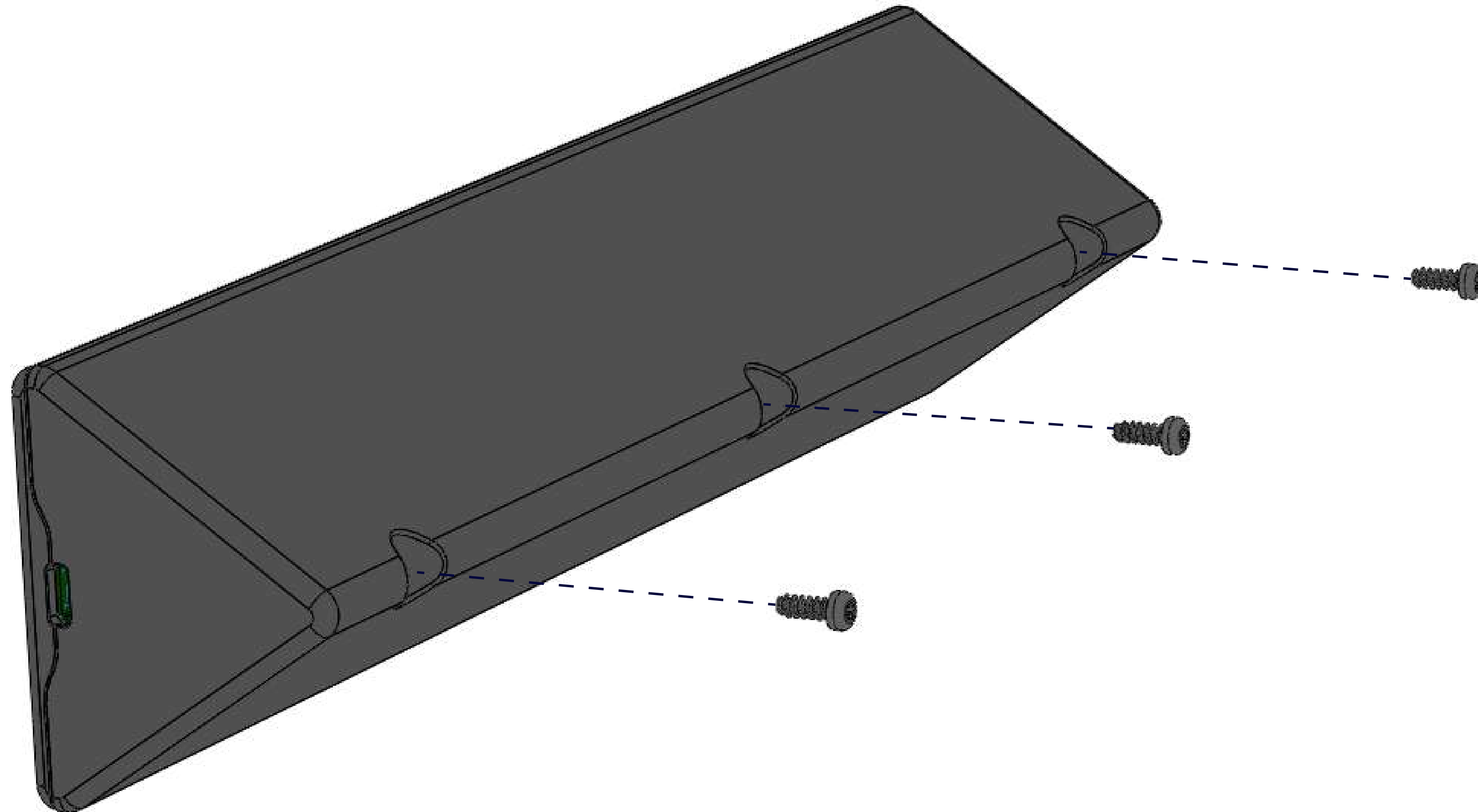
## Step 2

# Remove the three screws with the screwdriver



### Step 3

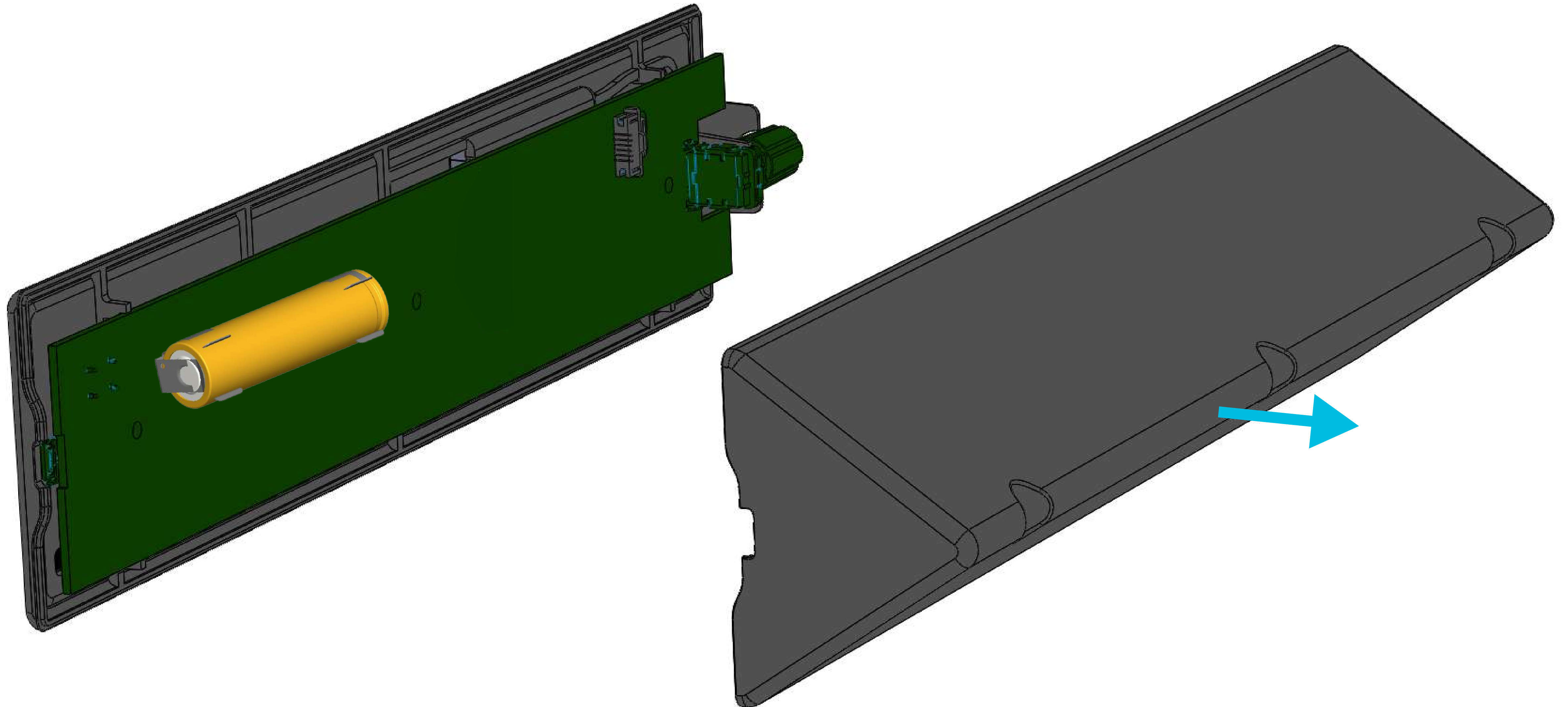
# Remove the three screws completely





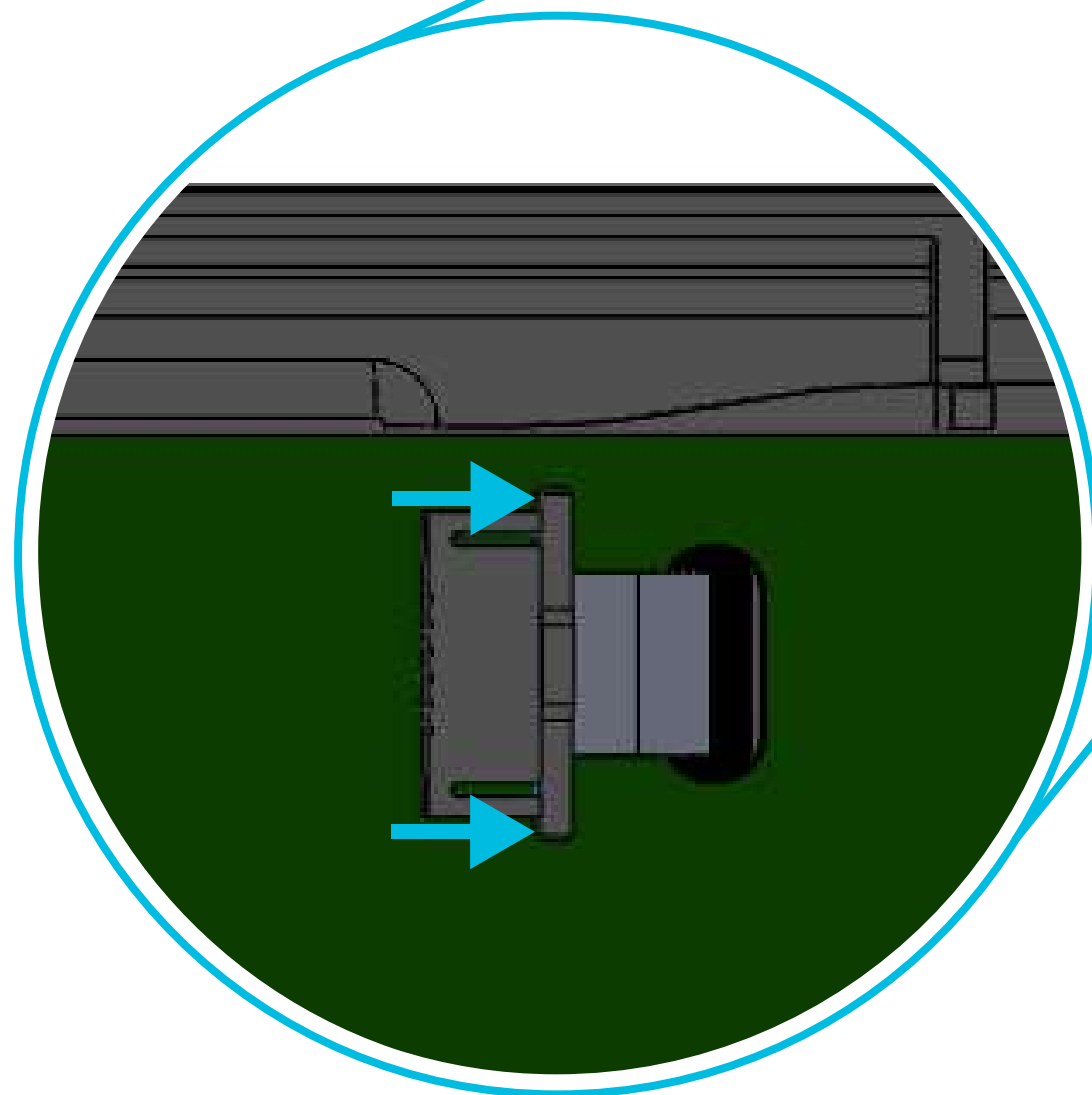
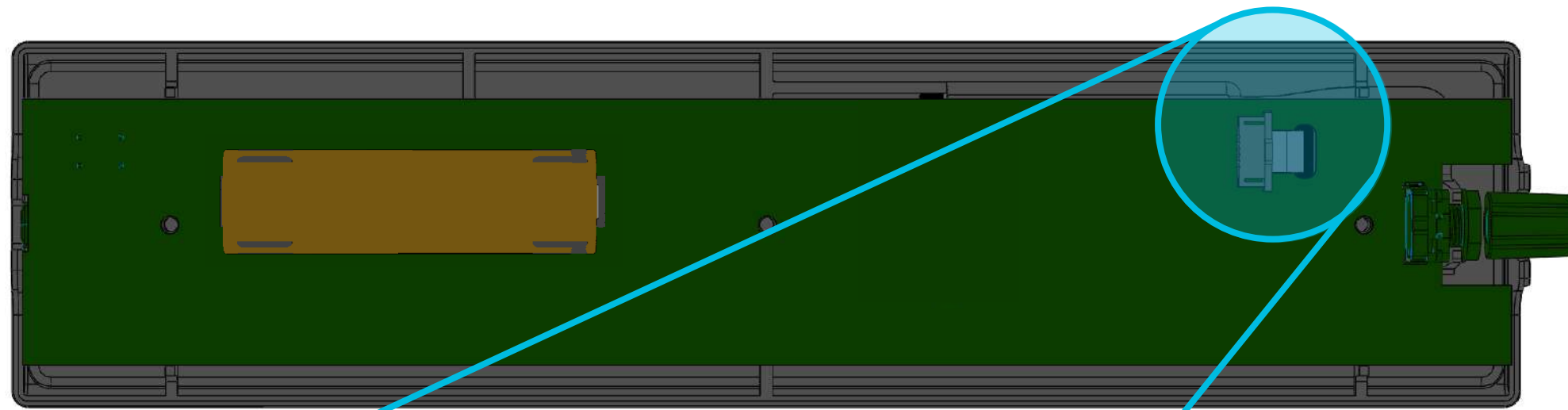
**Step 4**

# Remove the shell of the case

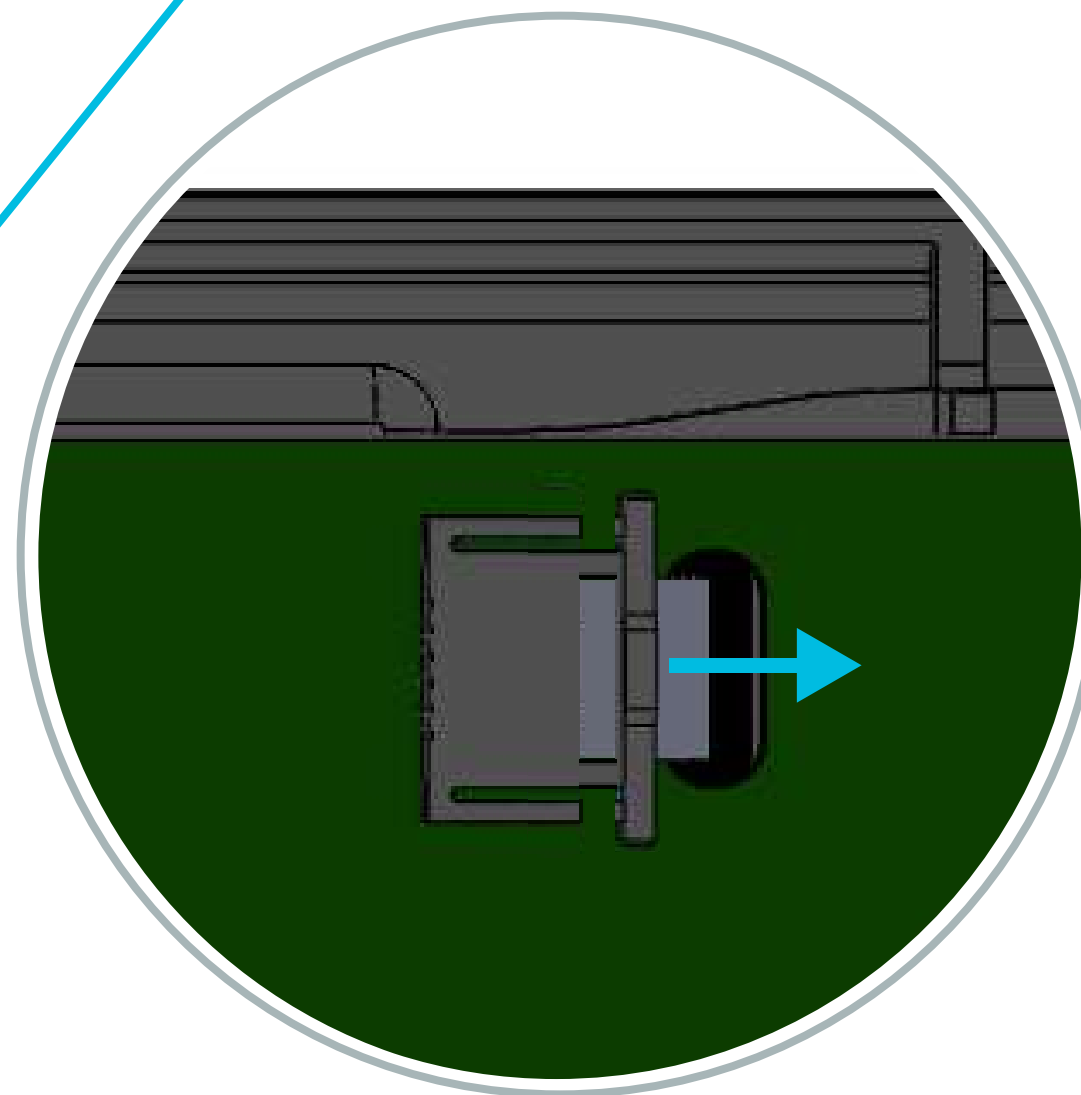


## Step 5

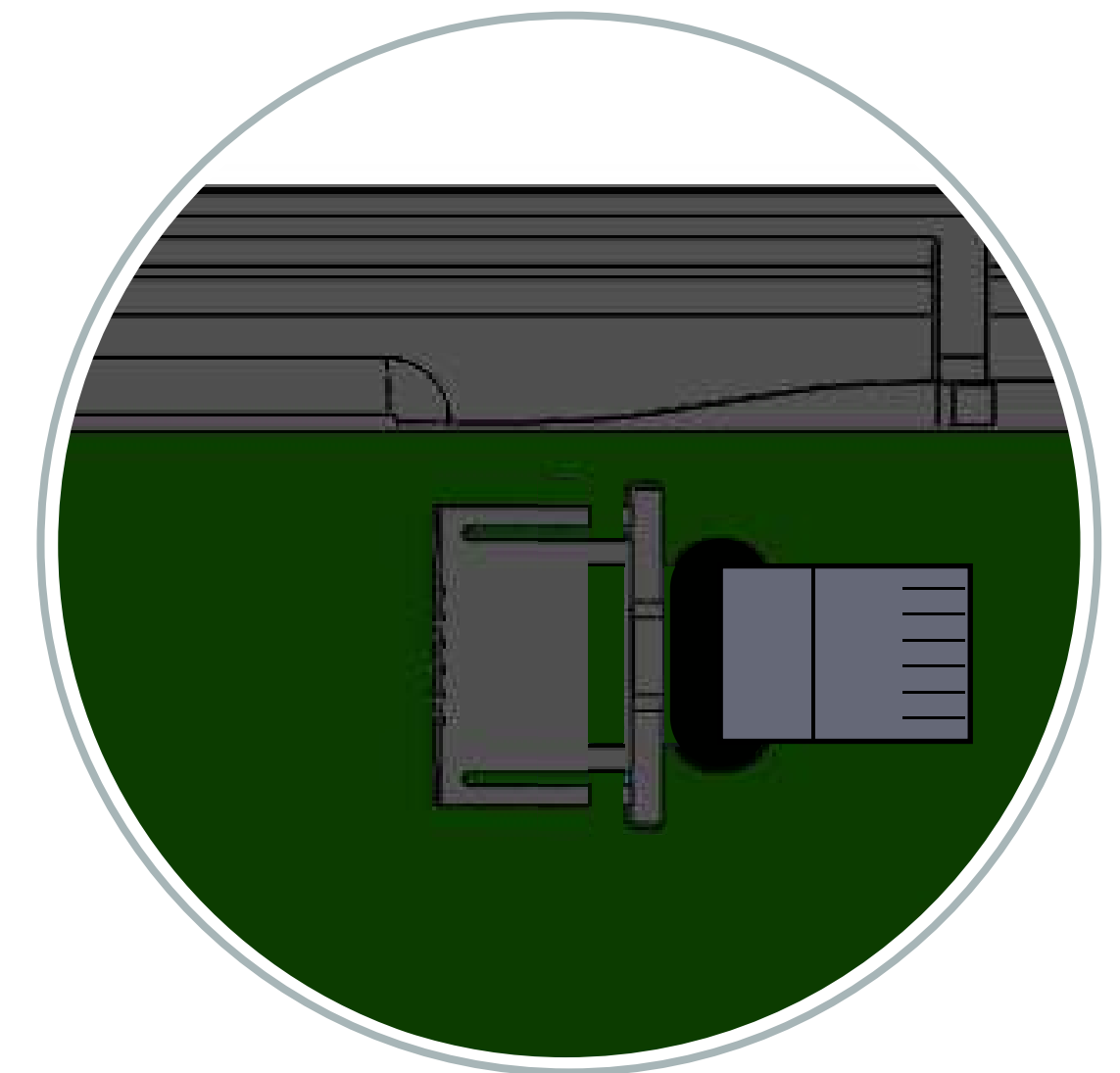
# Disconnect the cable from the membrane



5.1. Push the flap of the connector with both ends

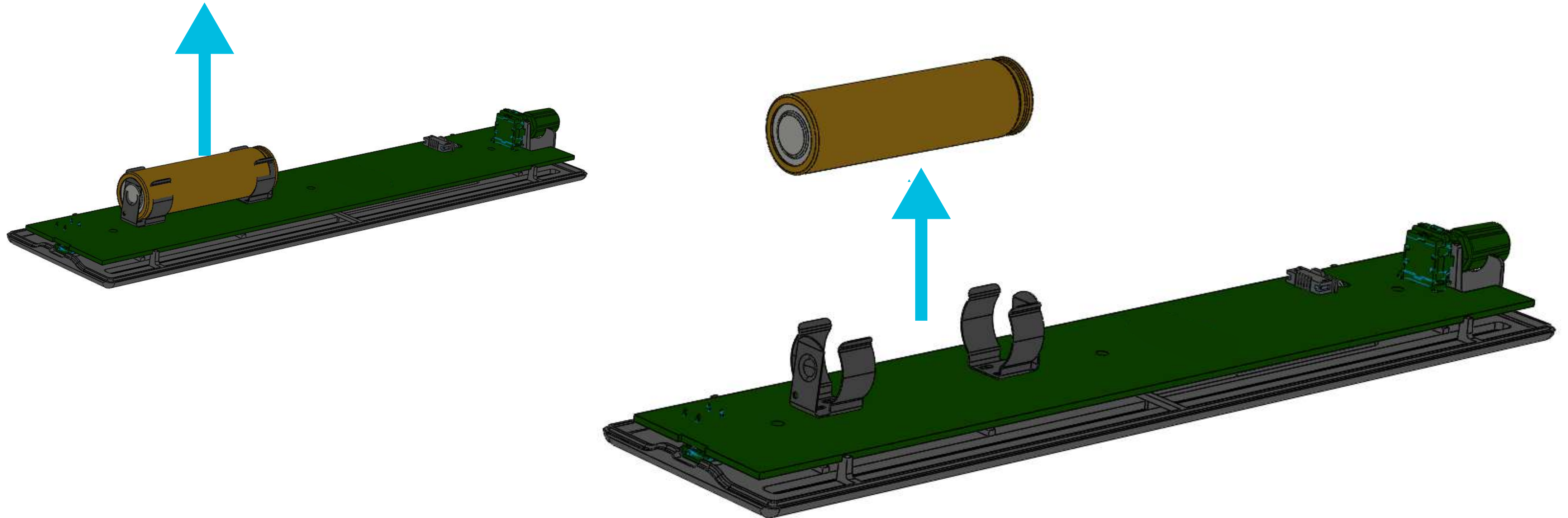


5.2. Pull the membrane cable to the opposite direction of the connector



## Step 6

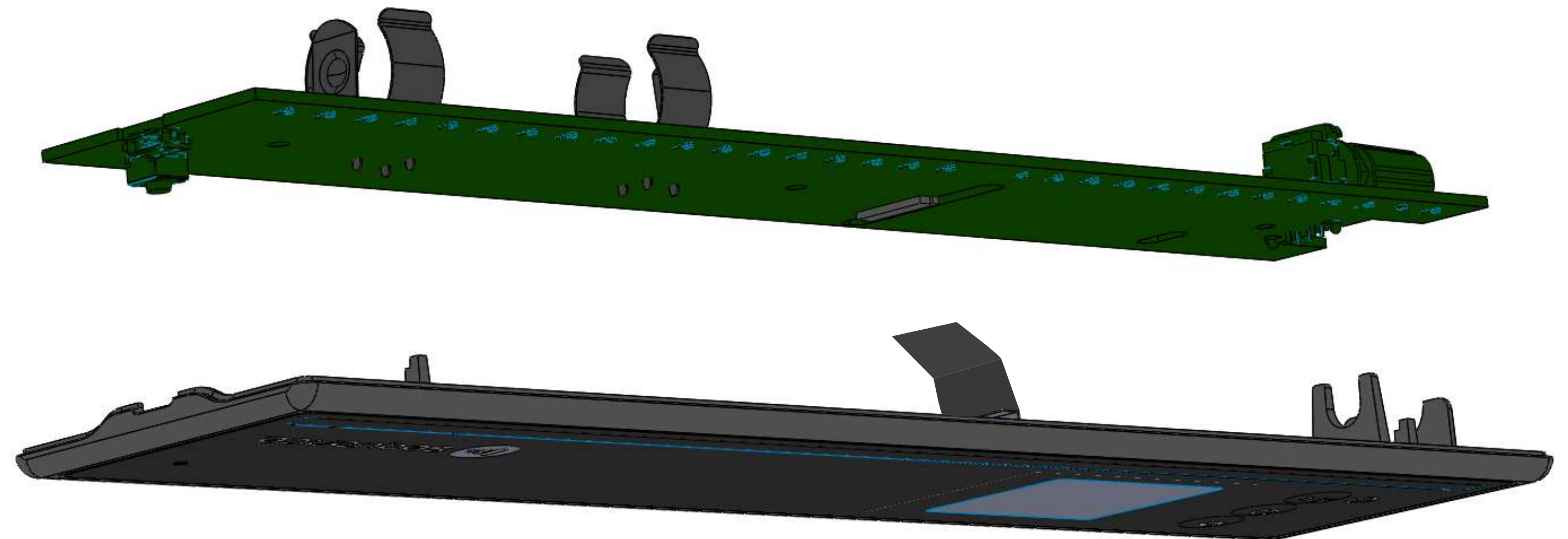
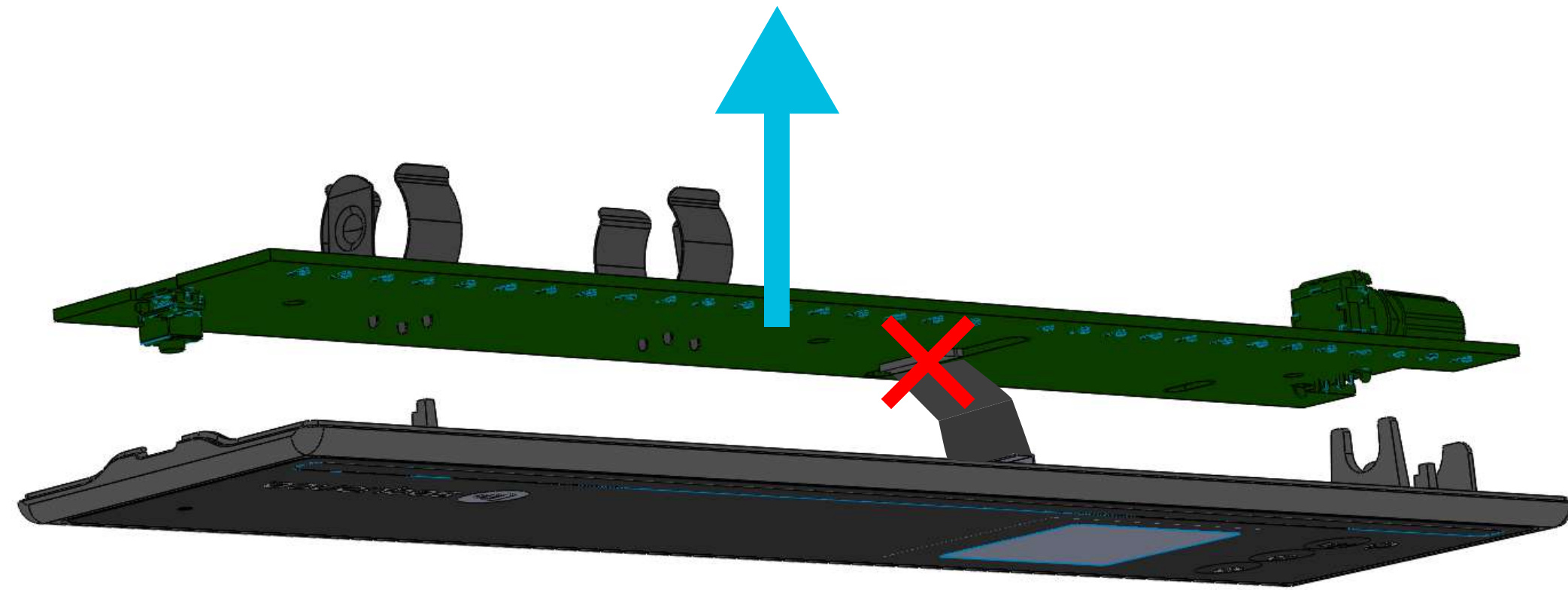
# Remove the battery from its slot





## Step 7

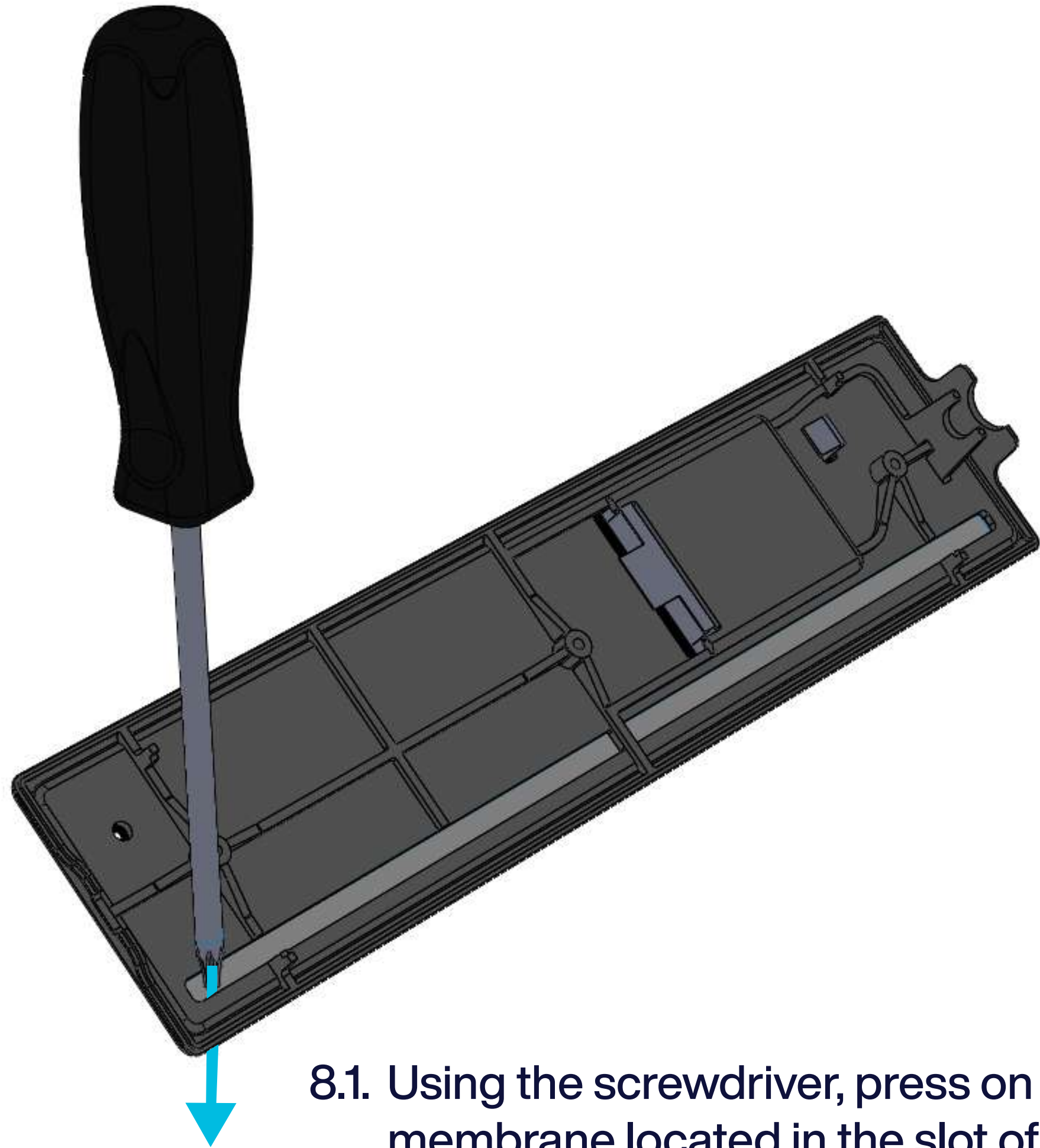
# Pull out the PCB by breaking the cable connection of the screen



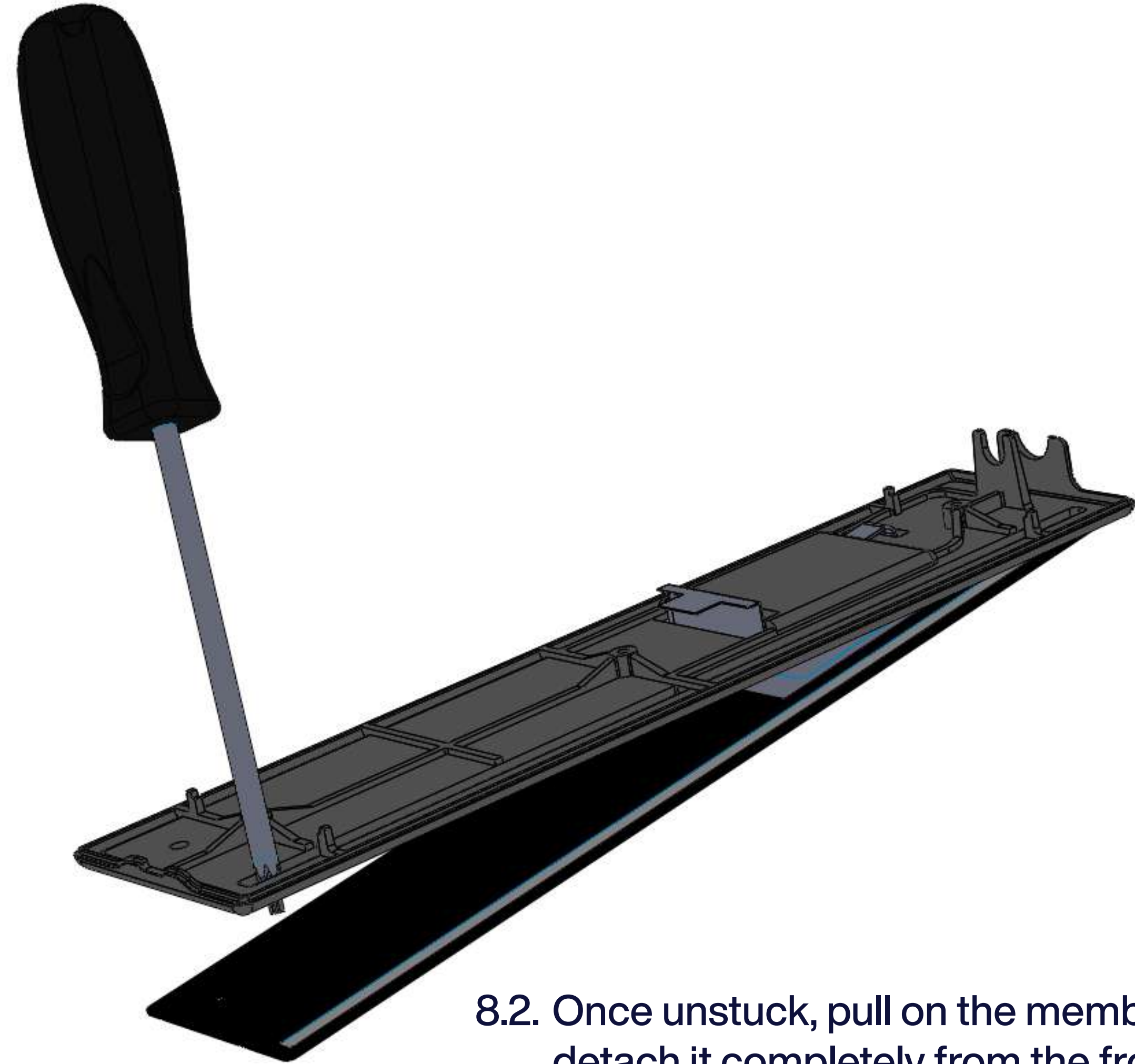


## Step 8

# Detach the membrane from the front of the case



8.1. Using the screwdriver, press on the membrane located in the slot of the front of the box.

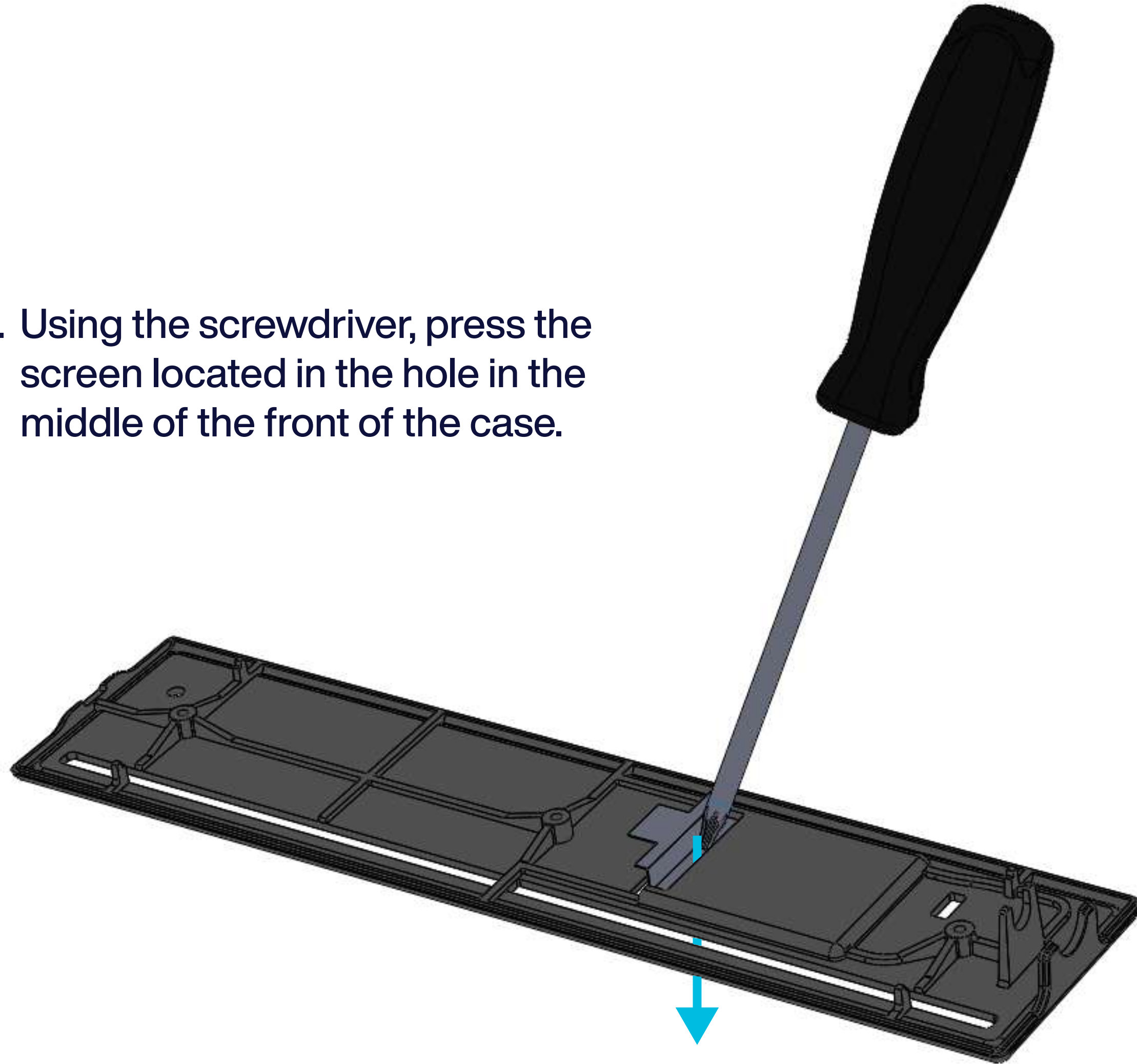


8.2. Once unstuck, pull on the membrane to detach it completely from the front of the case.

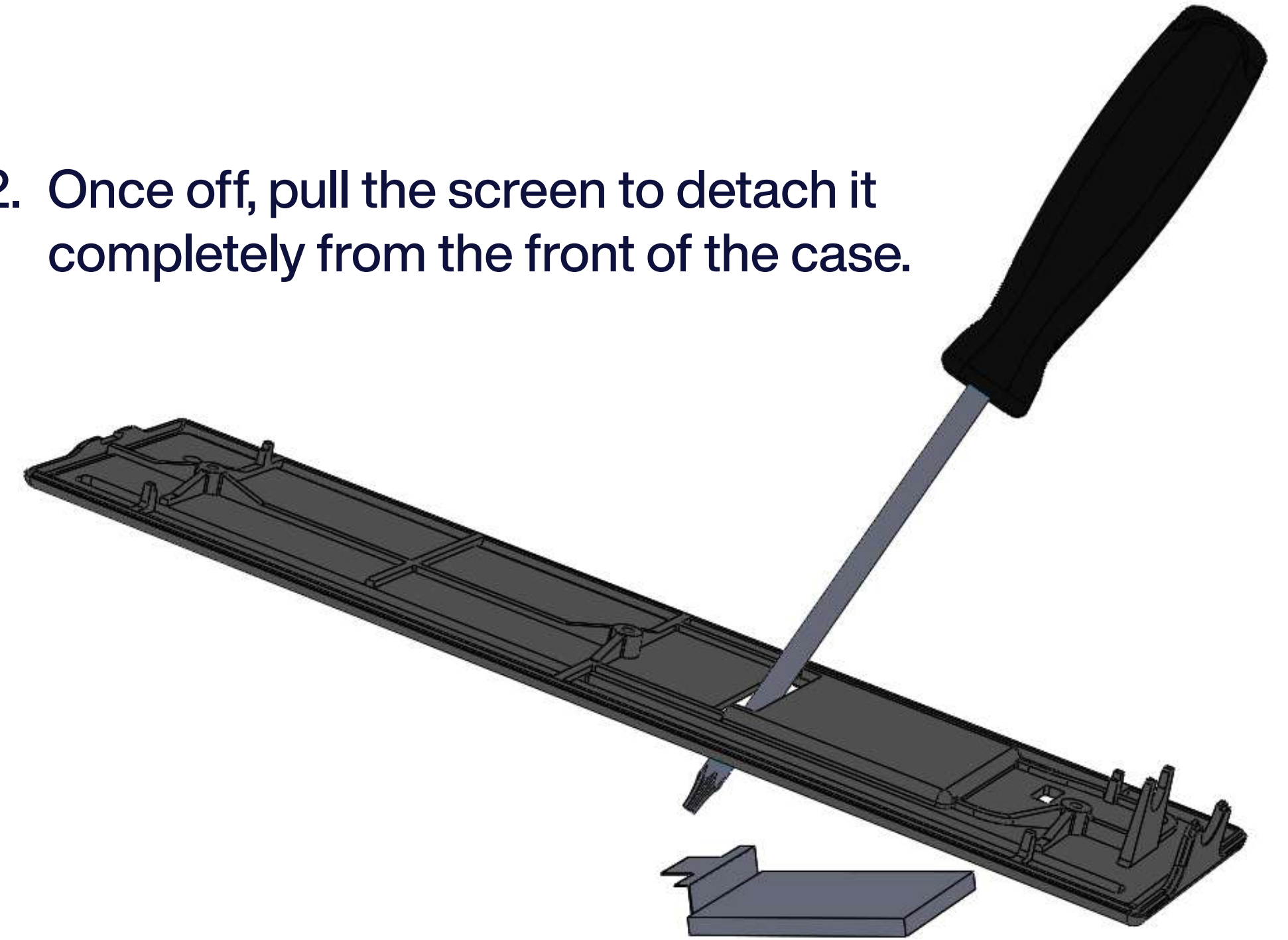
## Step 9

# Remove the screen from the front of the case

9.1. Using the screwdriver, press the screen located in the hole in the middle of the front of the case.



9.2. Once off, pull the screen to detach it completely from the front of the case.

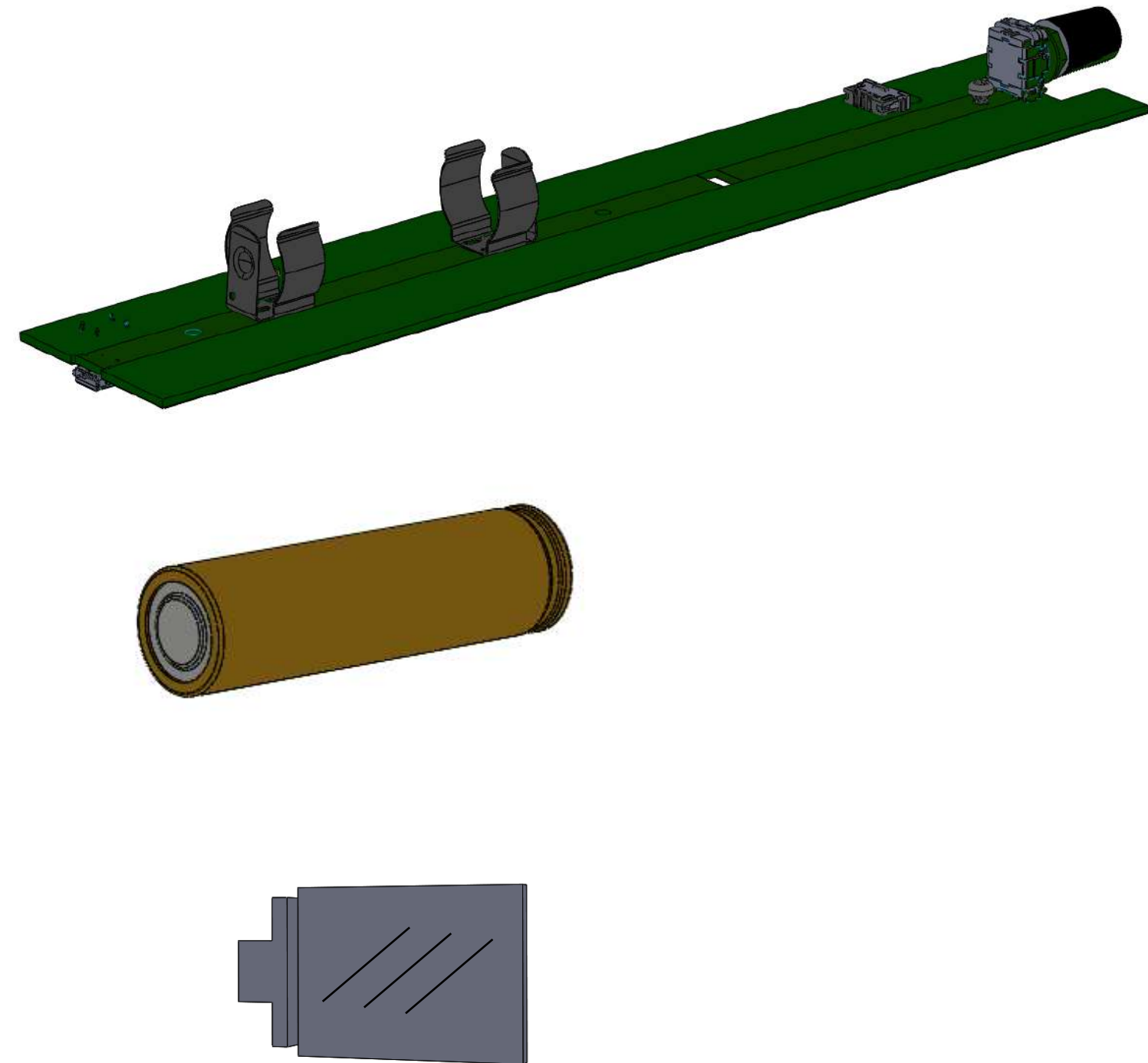




## Step 10

# Recycle the parts properly

## Electronic waste



## Recycling

